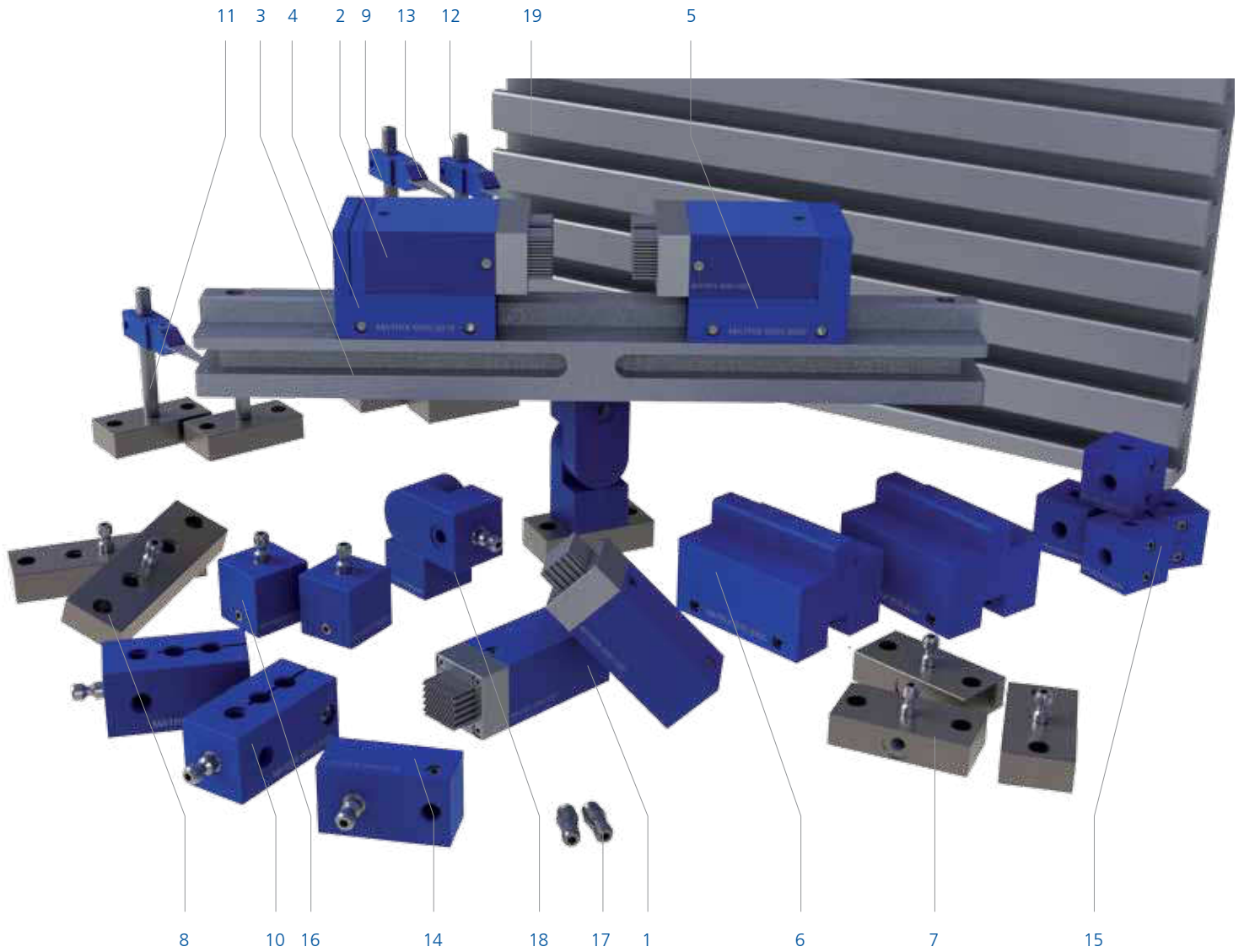


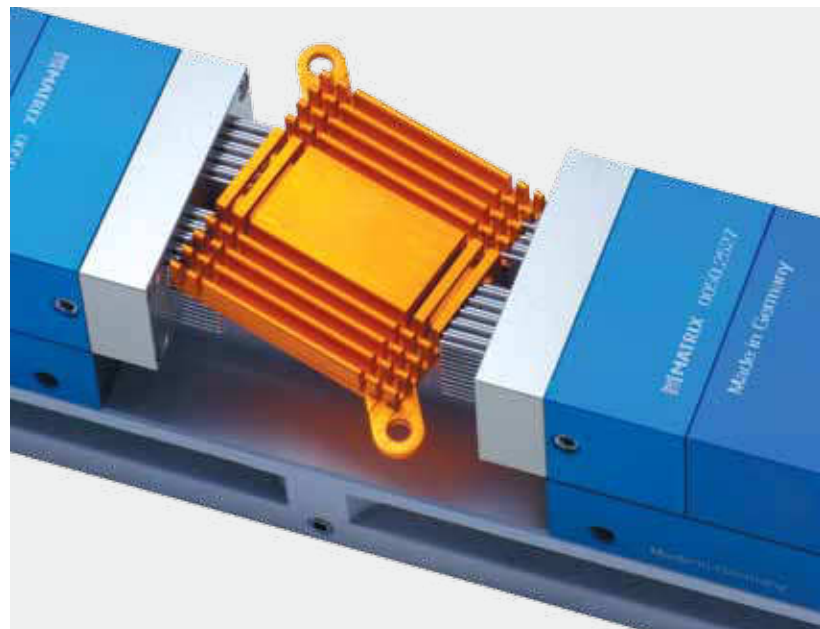
X-GRIP MINI L

ORDER NUMBER: 0050.2530



X-GRIP MINI L

The X-GRIP MINI L is the most recent version of the top technology in unsurpassed resolution (1 mm pin diameter) for fast form closure with complicated contours, for mounting and holding delicate and small parts.



The modular system consists of the following individual components:

Fig.	Article no.	Quantity	Description	Dimension / info	Pin field	Number of pins	Pin diameter	Pin stroke
1	0050.1267	2	X-GRIP MINI Module, single	20 x 20 x 50 mm	14 x 11 mm (x1)	126	1 mm	7.5 mm
			Further information about the module:	Weight: 67g, Clamping screw: Hexagon SW2, Material pins: Stainless steel, Material housing: Aluminium anodized, Adaption: Connection pin Ø 5, Installation location: any, Air connections for cleaning, Data sheet on request				
2	0050.2527	2	X-GRIP MINI Module, double	20 x 40 x 50 mm	14 x 11 mm (x2)	252	1 mm	7.5 mm
			Further information about the module:	Weight: 132g, Clamping screw: Hexagon SW2, Material pins: Stahl nicht-rostend, Material housing: Aluminium anodized, Adaption: Connection pin Ø 5, Installation location: any, Air connections for cleaning, Data sheet on request				
3	0050.8010	1	Guide rail	250 mm	-	-	-	-
4	0050.8070	1	Carriage, adjustable	-	-	-	-	-
5	0050.8080	1	Carriage, fixed	-	-	-	-	-
6	0050.8060	2	Height adjustment	25 mm	-	-	-	-
7	0050.8009	8	Base plate single	-	-	-	-	-
8	0050.8008	2	Base plate double	-	-	-	-	-
9	0050.8003	4	Holder, single	-	-	-	-	-
10	0050.8002	2	Holder, double	-	-	-	-	-
11	0050.8051	2	Holding rod	50 mm with scale	-	-	-	-
12	0050.8052	2	Holding rod	100 mm with scale	-	-	-	-
13	0050.8050	4	Pressure pad	-	-	-	-	-
14	0050.8004	1	Adapter plate	-	-	-	-	-
15	0050.8007	4	Double-joint	90°	-	-	-	-
16	0050.8001	2	Adapter	20 mm	-	-	-	-
17	0050.8013	20	Connection pin with hexagon	M5	-	-	-	-
18	0050.8040	2	Knuckle joint - infinitely variable	-	-	-	-	-
19	0900.0200	1	T-slot profile plate	250 x 200 x 20 mm Slot width: 8 mm	-	-	-	-
-	0900.2504	1 Set = 20 Pcs	Set of fastening parts for X-GRIP MINI	-	-	-	-	-
-	0900.1000	1	Micro-screwdriver	-	-	-	-	-
-	0900.9005	1	MATRIX case for MINI CLAMP	-	-	-	-	-

X-GRIP MINI - OPTIONAL

ADD-ONS (TO BE ORDERED SEPERATELY)

Fig.	Article no.	Quantity	Description
21	0050.8005	1	Adapter single
22	0050.8006	1	Adapter double



21



22



